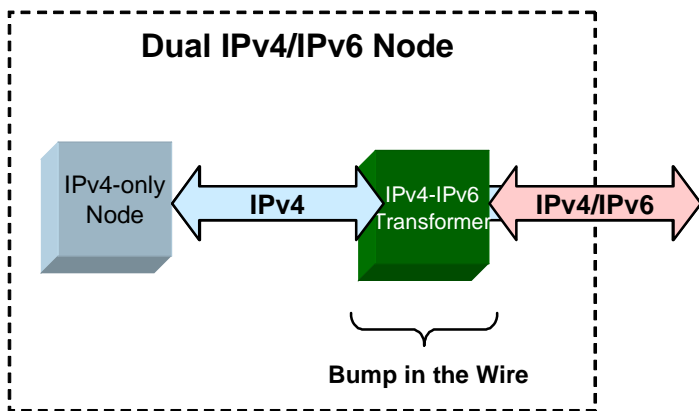


## Datatek IPv4-IPv6 Transformer

*The All-in-One IPv6 Transition Solution*

### Overview

Datatek's IPv4-IPv6 Transformer changes a legacy IPv4-only host into a dual-stack IPv4/IPv6 host. Simply insert the Transformer into the host's network connection and you're ready to talk IPv6! No changes to the host's software or hardware are needed - it's just a bump in the wire.



The Transformer adds full support for Mobile IPv6 capabilities to legacy IPv4 hosts.

In addition, the Transformer operates as a security inline processor to provide IPsec. Scalable peer authentication and automatic establishment of Security Associations are provided with PKI and IKE respectively. These security features protect both fixed and mobile IPv6 nodes.

### Datatek's IPv4-IPv6 Transformer Lets You:

- Extend the life of your legacy system
- Avoid costly hardware and software upgrades
- Reduce operational costs of your legacy system
- Accelerate your migration to IPv6
- Comply with Government regulations

### Major Benefits

- Instantly adds IPv6 capabilities such as security and mobility to your embedded base of IPv4 legacy equipment
- No disruption to continued IPv4 operations - IPv4 hosts continue to communicate with other IPv4 hosts
- Transparent solution - no software or hardware changes required for your legacy equipment
- Adds IPsec, IKE and PKI IP security features to legacy IPv4 systems
- IPv4-IPv6 Address and Protocol translation
- Turns a fixed IPv4 system into a true Mobile IPv6 system
- DNS query/reply translator automatically configures the Transformer
- DHCP server automatically configures the legacy host
- Easy to configure via Web-based Graphical User Interface (GUI)

### Key Features Include:

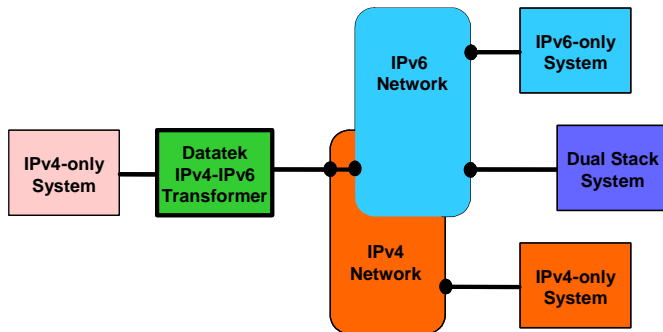
- State-of-the-art high-performance processor
- Operates at 10-100Mps speeds on all ports
- No hard disk
- Low power design
- No cooling fans
- AC or DC power





## Datatek's Unique IPv4-IPv6 Transformer Works!

The Datatek IPv4-IPv6 Transformer is shown below operating with both IPv4 and IPv6 networks in a dual-stack fashion. The IPv4-IPv6 Transformer enables an IPv4 host to continue to operate with other IPv4 hosts with no disruptions.



Protocol and address translation are implemented seamlessly as are higher-level protocol mediation and termination functions such as DNS, ICMP, DHCP and ARP

The IPv4-IPv6 Transformer platform is based on proven design experience that has evolved from Datatek's highly reliable and robust carrier-class line of protocol mediation products.

### Transition Milestones

- Completed JITC IPv6 Certification – now on DoD IPv6 Approved Products List (APL)
- Participated as interoperability trial at Coalition Warrior Interoperability Demonstration (CWID) and named to 'Most Promising Technologies' list



### Features under development

Our current-version IPv4-IPv6 Transformer is evolving and will play a key role in many network topologies. The features under development now for sale in 2010 include:

- Multiple Host Support/Translation Server to reduce per-port cost
- Application Layer Gateways (ALGs) support of embedded protocols, including FTP
- Virtualized version to run on servers with multiple applications
- SNMP Management
- IPv6 Multicast Support
- Improved GUI/Command Line Interface
- Compliance with emerging RFC standards
- UL, FCC, CE, JITC, IPv6 Forum certifications

### Technical Specifications

**Size:** 1.75" H x 19" W x 8"D

**Operating Environment:** 32F/0C to 140F/60C

**Power:** 6-20V DC, max 15W with external power supply

**Interfaces:** IPv4 & IPv6 Ports: 10/100Mbit Ethernet, RJ-45; Console Port: DB9 serial port; USB 1.1 port

**Management:** Web-based GUI

**Standards:** Support for Core IPv6 Functionality, IPv6 Ethernet Connection Technologies, Transition Mechanisms for IPv6 Hosts and Routers, IPv6 Common Network Applications, IPv6 Security/Information Assurance and IPv6 Mobility

### For More Information

Contact us by phone or email to discuss our IPv4-IPv6 Transformer and how your organization can benefit.

379 Campus Drive, Suite 100  
Somerset, NJ 08873  
[www.datatekcorp.com](http://www.datatekcorp.com)  
Email: [sales@datatekcorp.com](mailto:sales@datatekcorp.com)  
Telephone: 732.667.1080  
Fax: 732.667.1091